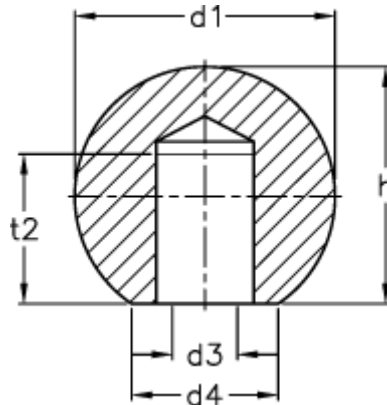


Article number: 20132203

Description: E+G Ball knob DIN 319-AL-40-B16-K

Measures



$d1$	= 40
$d3$ H7	= B16
$d4$	= 22
h	= 37.0
$t2$ min.	= 22